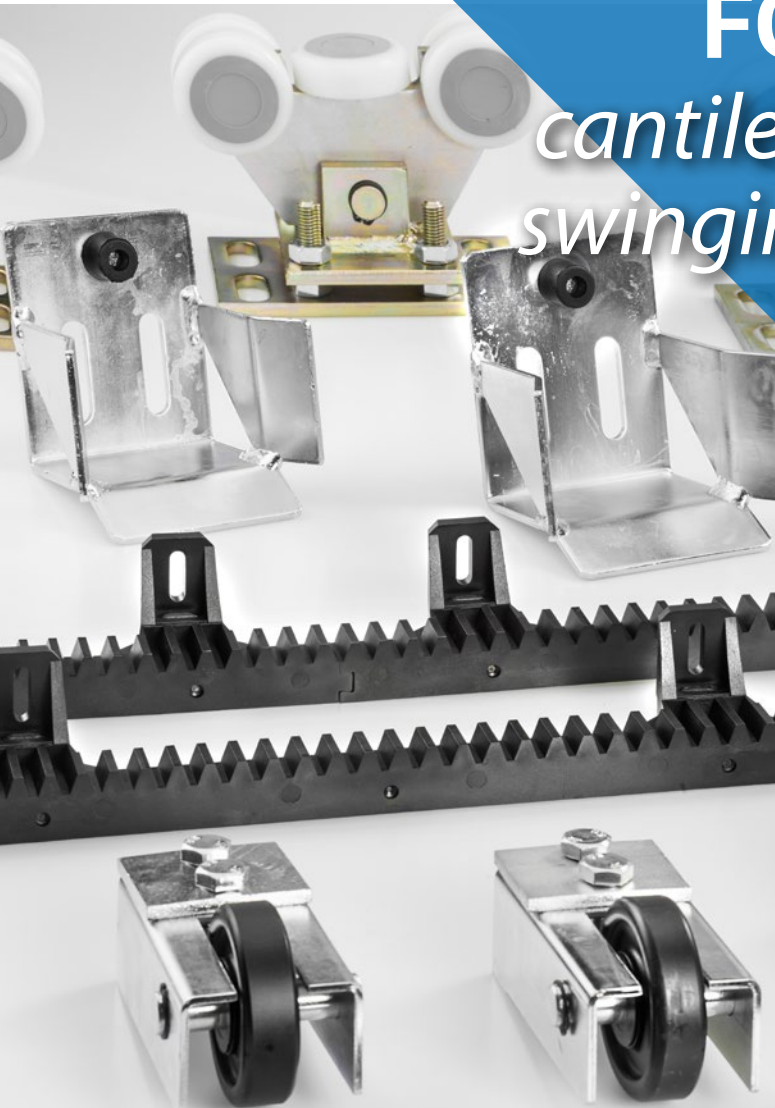


**THE BEST
OFFER ON
THE MARKET**



**Accessories
FOR**
*cantilever and
swinging gates*



SEE HOW SIMPLE IT IS



Easily make an enquiry and order at www.tulplast.pl



Special conditions

Negotiable prices depending on number of orders.



Fast delivery

We arrange dispatch via renowned courier companies.



Large stocks

Millions of products in the storage allow us to complete orders within 24 hours.



1. Visit www.tulplast.pl and check our full offer.



2. Use browser or select product categories in the site menu.



3. Choose product type, size and colour.



4. Add to cart or enquiry. Negotiate prices for wholesale orders.



5. Order without registration or create an account and review your purchase history..

Give us a Like





NEW

Accessories for gates

CARRIAGES FOR CANTILEVER GATES

Check the full offer at
www.tulplast.pl

**Carriages designed for cantilever gates.
 Used for various dimensions of gate profiles.**

Material

Galvanized steel.

Rollers - metal or polyamide with bearings.

Double adjusting plate

The first lower mounting plate is screwed directly to the foundation base. The other base allows for adjustment of proper height for the closed gate. Such solution ensures stable and strong placement of the carriage on the foundation base.

Polyamide rollers with bearing



- Manufactured by moulding which ensures high resistance to abrasion and cracking.

- Reduce noise level when moving the gate.

- Abrasion is lower compared to steel rollers.

- Metal profile of the gate

is not subject to wear and tear. High resistance to changing weather conditions.

Installation of carriage

Carriages are installed at the end of gate, in the "counterweight". It is assumed that length of the counterweight is 1/3 of the gate clear length or in long gates above 8m about 1/2 of the gate clear length. Mounting base of the carriage is provided with four lengthwise openings – "beans", with use of which it is fixed to the ground by means of an anchor or threaded bars. Maximum diameter of bars is M16, and recommended M14.

Innovative protection of gate's carriage



Secure cover of gate's carriage protects the carriage's base against adverse weather conditions, corrosion and has good effect on the gate's aesthetics. Catches enable quick installation and removal of the cover.

WHY GATE'S CARRIAGES FROM TULPLAST?

Carriages from a Polish manufacturer

For 30 years we have been delivering gate's carriages with polyamide rollers to thousands of customers. We are sure of their high quality.

Any questions?

Proposal specialist
 Paulina Stangierska
paulinastangierska@tulplast.pl
 +48 698 107 418

CARRIAGES FOR CANTILEVER GATES



Check the full offer at www.tulplast.pl

Gate clear length
from 3.5 m to 4.5 m



TO GATE PROFILE
80x80x5
80x80x4
70x70x4
80x80x5 (Steel roller)

Gate clear length
from 4,5 m to 6 m



TO GATE PROFILE
80x80x5
80x80x4
70x70x4
80x80x5 (Steel roller)

Gate clear length
from 6 m to 8 m

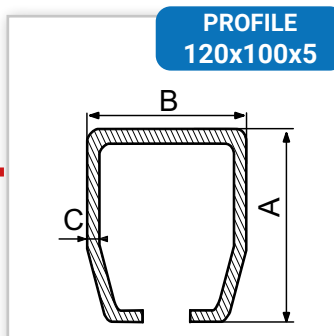


TO GATE PROFILE
80x80x5
80x80x4
100x90x4
100x90x5
80x80x5 (Steel roller)

Gate clear length
from 8 m



TO GATE PROFILE
120x100x5



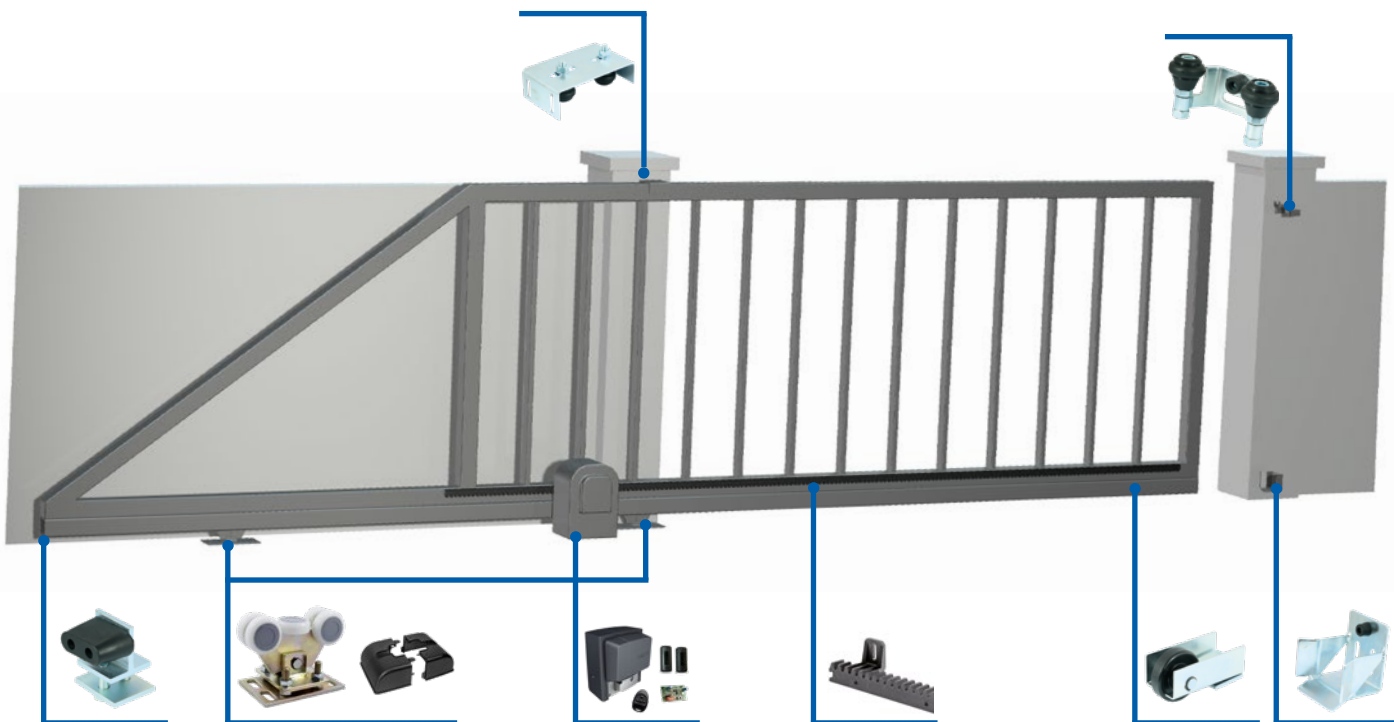
AVAILABLE
WITH US



? Do you know that...

Horizontally mounted guide rollers at front and rear of the carriage allow for its perfect alignment with the gate slide. Additionally horizontal rollers protect vertical rollers against abrasion.

Which accessories to choose for installation of a cantilever gate?



UN/RG



TO GATE PROFILES



RNZ/G



TO GATE PROFILES



RP

UPPER
ROLLERS



UB/G



TO GATE PROFILES



LZP/40

TOOTHED RACKS



H-40

LOCKS

Check the full offer at
na www.tulplast.pl

Any questions?

Proposal specialist
Paulina Stangierska
paulinastangierska@tulplast.pl
+48 698 107 418



Accessories for gates

TOOTHED RACKS FOR AUTOMATION FOR GATES

Advantages

- very robust construction of rack thanks to use of polyamide with metal core,
- silent operation of gate during opening,
- very quick installation,
- wear-resistant rack in gate drive,
- no corrosion after years of use.

Toothed rack is mounted by means of self-drilling screws and washer on gate's frame or screwed directly to gate's profile drilled and threaded by means of bolts M6 x 12 and washers.



No corrosion after years

POLYAMIDE TOOTHED RACKS



We offer

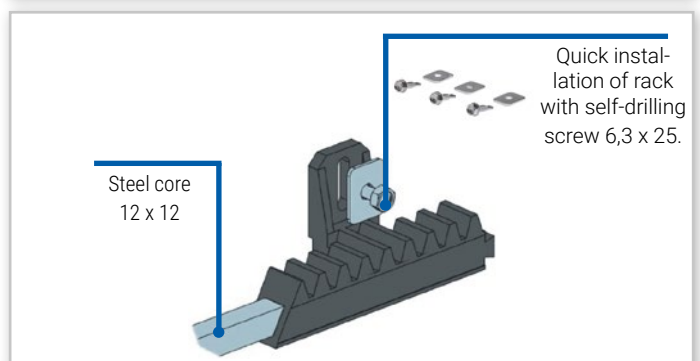
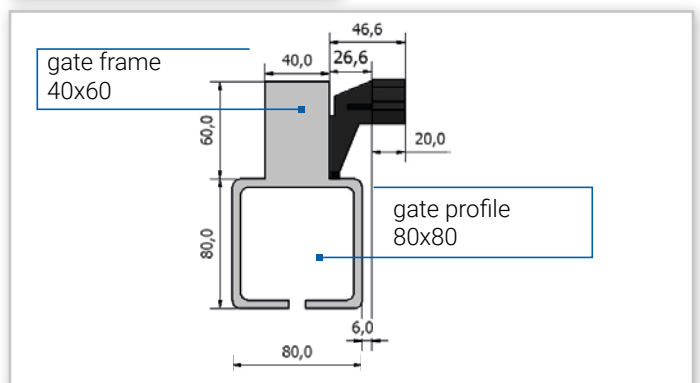
AUTOMATION FOR GATES



NEW TYPE LZP/40



Further shifting of the catcher of toothed racks LZP/40 allows for much convenient installation of toothed rack with use of self-drilling screws directly on the frame of gate made of 40x40 and 40x60 profile.



Any questions?

Proposal specialist
Paulina Stangierska
paulinastangierska@tulplast.pl
+48 698 107 418

ACCESSORIES FOR SWINGING GATES

What accessories to choose
for installation of a swinging gate?



HINGES FOR GATES

TYPE ZB/S



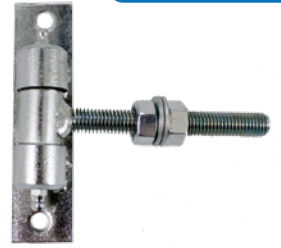
TYPE ZB/P



TYPE ZB/O



TYPE ZR



STAINLESS
STEEL

TYPE ZB/S

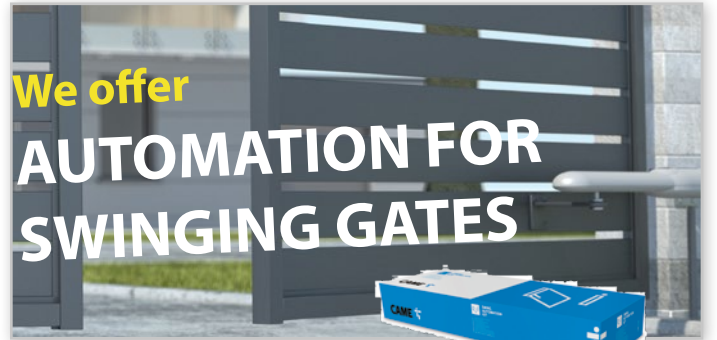


STAINLESS
STEEL

TYPE ZBN/P



We offer
**AUTOMATION FOR
SWINGING GATES**



BUMPERS FOR GATES

OBS/
Screwed



OBS/
Inlet



NEW

OBS/
Screwed
with hole for
latch



**Check the full
offer at**

www.tulplast.pl

OTHER ACCESSORIES

TYPE ZBO



TYPE RY



TYPE PW



TYPE ZAS/OC



TYPE PUSZ 350 EZ



TYPE ZDW



TYPE KL7



 **Tulplast**

Any questions?

Proposal specialist
Paulina Stangierska
paulinastangierska@tulplast.pl
+48 698 107 418